

Extron Electronics

INTERFACING, SWITCHING AND DISTRIBUTION



LANCIAxi - LINE DOUBLER

High resolution
line doubler

Quad standard decoder-
(NTSC 3.58, NTSC 4.43,
PAL & SECAM)

S-Video and
composite video inputs

Three-line adaptive
comb filter

Motion mode
compensation

RGsB, RGBS or
RGBHV outputs

RS-232/contact control

Auto-switchable inputs

Split screen mode

Output sync
polarity switch



APPLICATION

Extron's LANCIA*x*i is a high resolution, digital video line doubler which converts interlaced video into non-interlaced video. The line doubler converts the two-field frame into a single 525 line non-interlaced frame producing a brighter, higher resolution picture. The additional lines provide more light output and make the overall image brighter.

The LANCIA*x*i has a high quality three-line adaptive comb filter that eliminates most of the chroma noise found in standard composite video signals. In addition, an internal TBC (Time Base Corrector) actually cleans-up low quality videotape signal noise (common to VHS tape players) for a more stable and sharper image. Motion mode compensation virtually eliminates the "jaggies" commonly found on video line doublers so that the image is smoother. With these features the LANCIA*x*i provides a far superior output than any other line doubler in its price class.

The LANCIA*x*i is a universal line doubler with an internal two input switcher. One S-Video and one composite video input are front panel selectable, remote selectable as well as auto-switchable. With the use of a high quality quad-standard decoder, the LANCIA*x*i is compatible with all international video formats including NTSC 3.58, NTSC 4.43, PAL and SECAM.

FEATURES

- **Quad-standard decoder**— The LANCIA*x*i is compatible with all international video formats including NTSC 3.58, NTSC 4.43, PAL and SECAM.
- **Line doubler**— Doubles the resolution of standard video from 525 interlaced lines at 15 kHz to 525 non-interlaced lines at 31.5 kHz for a clearer, brighter output.
- **Motion mode compensation**— With motion mode compensation, the LANCIA*x*i virtually eliminates the "jaggies" found in line doubled video.
- **Picture controls**— Picture controls include color, hue (tint), horizontal shift and contrast for each input. The LANCIA*x*i will save picture controls for each of its two inputs.
- **Demo-mode**— Built-in "demo mode" allows split screen of video and line doubled video side by side.
- **RS-232 control**— A rear panel RS-232 serial port provides access for a third-party remote control system.
- **VGA mode**— Conveniently converts video signals to 480 lines of non-interlaced VGA. This VGA output allows you to plug directly into digital display devices for RGBHV signal transmission.
- **Auto-switchable inputs**— The LANCIA*x*i will automatically select whichever input has a signal present (in auto-switch mode), ideal for video loop-back feature of the System 8 and 10 PLUS switchers.
- **Universal compatibility**— The LANCIA*x*i outputs either RGSB, RGBS or RGBHV signals at 31.5 kHz.
- **Output sync polarity**— Sync polarity can be adjusted through rear panel dip switches (positive or negative H&V) to allow for any projector to recognize the LANCIA*x*i input versus a standard VGA input and save different convergence, brightness and contrast settings.
- **Rack mountable**— The LANCIA*x*i fits into a 1U high, 1/2 rack width metal enclosure.

SPECIFICATIONS

Inputs

Video level	0.7 - 1 volt p-p
S-Video level (Y/C).....	Y- 0.7 volts p-p, C- 0.3 volts p-p (burst)
Connectors	Video- female BNC S-Video- female 4 pin mini-din
Impedance	75 ohms

Outputs

Video level	0.7 volts p-p
Sync level	4-5 volts p-p (TTL)
Sync polarity.....	Composite - negative H&V - positive or negative, dip switch selectable

Sync output frequency

NTSC 3.58/4.43	31.25 kHz horizontal 60 Hz vertical
PAL/SECAM.....	31.5 kHz horizontal 50 Hz vertical

**when VGA mode is active vertical frequency forced to 60 Hz with any video input*

DC offset	0.1 volt (max)
Connectors	5 female BNCs
Impedance	75 ohms

Remote control RS-232 and contact closure

Bandwidth 50 MHz (-3 dB)

MTBF 30,000 hours (demonstrated)

Storage temp -40°C to +70°C (-40°F to 158°F)

Operating temp..... 0°C to +50°C (32°F to 122°F)

Humidity..... 10% to 90% non condensing

Vibration..... NSTA 1A in carton

Dimensions 1.75"H x 8.75"W x 9.5"D
4.45 x 22.22 x 24.13 cm

Rack mountable Yes, 1U shelf (Part # 60-190-01)

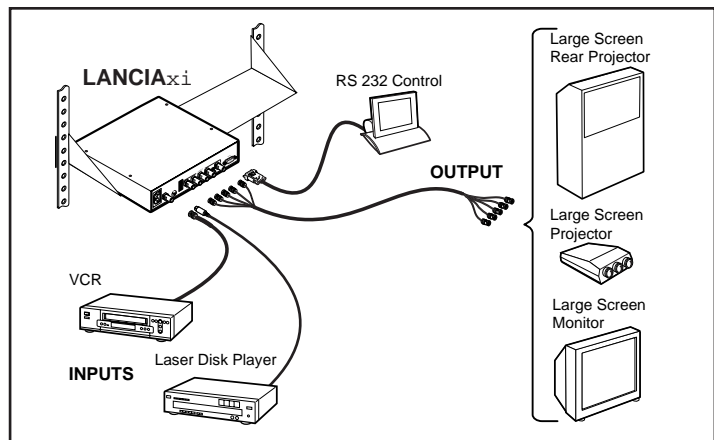
Weight..... 5 lbs (2.3 kg)

Approvals..... UL, CE mark

Power supply..... 100-240 VAC 50/60 Hz
Internal auto-switchable

Warranty Two years, parts & labor

Part number 60-213-02



EXTRON ELECTRONICS/RGB SYSTEMS, INC.
1230 South Lewis Street, Anaheim, CA 92805
800.633.9876 714.491.1500 FAX 714.491.1517
U.S.A.

EXTRON ELECTRONICS, EUROPE
Beeldschermweg 6C, 3821 AH Amersfoort
+31.33.453.4040 FAX +31.33.453.4050
The Netherlands

EXTRON ELECTRONICS, ASIA
41B Kreta Ayer Road, Singapore 089003
+65.226.0015 FAX +65.226.0019
Singapore

EXTRON ELECTRONIC INFORMATION
EXTRONWEB™: www.extron.com
EXTRONFAX™: 714.491.0192
24-hour access—worldwide!