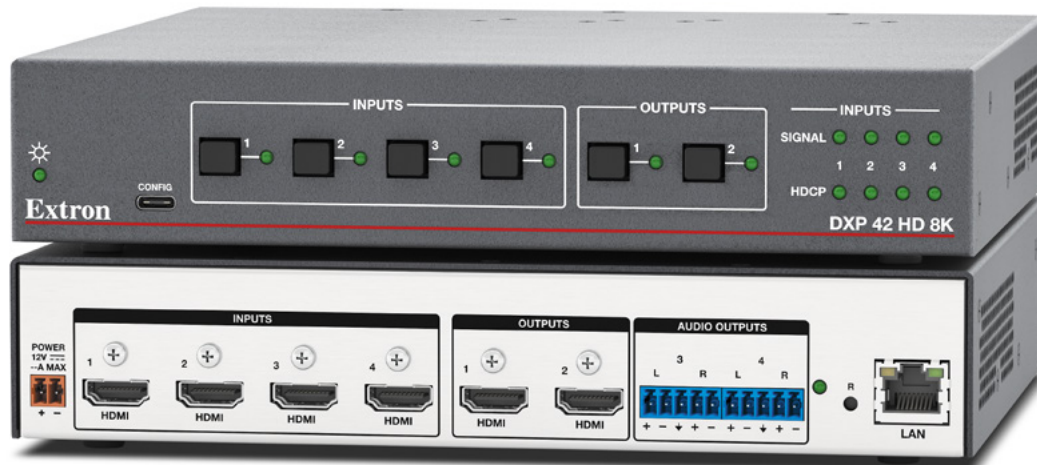


DXP 42 HD 8K

8K HDMI MATRIX SWITCHER WITH AUDIO DE-EMBEDDING



8K

ULTRA-WIDE

The Extron **DXP 42 HD 8K** is a high performance 4x2 HDMI matrix switcher that accepts resolutions up to 8K/60. Supported HDMI 2.1 specifications include data rates up to 40.1 Gbps, HDR, Deep Color up to 12-bit, 3D, and HD lossless audio formats. Key technologies include EDID Minder® Plus for advanced display compatibility, SpeedSwitch® for fast switching, and Key Minder® for continuous HDCP authentication. This makes the DXP 42 HD 8K ideal for professional AV applications needing reliable, high-performance HDMI signal routing to multiple displays.

- ▶ Supports computer and video resolutions up to 8K/60
- ▶ Supported HDMI 2.1 specification features include data rates up to 40.1 Gbps, HDR, Deep Color up to 12-bit, 3D, and HD lossless audio formats
- ▶ Supports ultra-wide aspect ratios, including 21:9 and 5K
- ▶ SpeedSwitch® Technology provides exceptional switching speed for HDCP-encrypted content
- ▶ EDID Minder® Plus automatically manages EDID communication between connected devices
- ▶ HDMI audio de-embedding

Extron

DESCRIPTION

The Extron **DXP 42 HD 8K** is an advanced HDMI matrix switcher designed to support resolutions up to 8K/60 at high data rates up to 40.1 Gbps. It also accommodates ultra-wide 5K resolutions, making it an excellent choice for advanced applications such as Microsoft® Teams® Front Row systems, where high-quality video distribution is critical.

Digital audio can be de-embedded from any input and assigned to analog stereo outputs for easy integration with a sound system. Advanced features such as input cable equalization, which restores and reshapes incoming HDMI signals, reduces the need for additional signal conditioning equipment by compensating for weak source signals or signal loss from a long input cable. For HDMI signals with protected content, Key Minder authenticates and maintains continuous HDCP encryption between input and output devices to ensure quick and reliable switching. Extron SpeedSwitch Technology enables the DXP 42 HD 8K matrix switcher to deliver exceptional, virtually instantaneous switching speeds for HDCP-encrypted content.

The DXP 42 HD 8K features a suite of Extron-exclusive technologies and tools for complete control over EDID management. To reliably display and distribute 8K, 5K, and 21:9 aspect ratio content, EDID Minder Plus provides enhanced 512-byte EDID emulation for supporting additional memory blocks needed to convey advanced display capabilities via EDID and DisplayID structures. Color bit depth is automatically adjusted based on the display EDID, which prevents color compatibility conflicts between the source and the display. Users can choose from several pre-stored EDID profiles or capture and save EDID from a connected display.

The DXP 42 HD 8K provides +5 VDC, 250 mA on each output, allowing it to power peripheral devices, such as Extron's HD Pro Plenum Series active hybrid optical-copper cables. These cables support high-speed transmission of HDMI digital video and audio signals over extended distances.

KEY FEATURES

- ▶ Supports computer and video resolutions up to 8K/60
- ▶ Supports ultra-wide aspect ratios, including 21:9 and 5K
- ▶ Supported HDMI 2.1 specification features include data rates up to 40.1 Gbps, HDR, Deep Color up to 12-bit, 3D, and HD lossless audio formats
- ▶ **HDCP 2.3 compliant** – Ensures display of content-protected media and interoperability with other HDCP-compliant devices.
- ▶ **EDID Minder® Plus automatically manages EDID communication between connected devices** – EDID Minder Plus supports additional memory blocks for displays that convey advanced features via both EDID and DisplayID for proper management of the extended EDID information required to reliably display and distribute 5K and 21:9 aspect ratio content.

KEY FEATURES (Cont.)

- ▶ **Key Minder® continuously verifies HDCP compliance** – Key Minder authenticates and maintains continuous HDCP-encryption between all input and output devices to enable simultaneous distribution of a single source signal to multiple displays.
- ▶ **Selectable output muting** – Provides the capability to mute any combination of video, audio, and/or sync outputs at any time. This allows content to be viewed on a local monitor prior to appearing on the main presentation display.
- ▶ **HDMI audio de-embedding** – The DXP 42 HD 8K can extract embedded HDMI two-channel LPCM audio to analog audio outputs.
- ▶ **Audio breakaway enables independent audio and video switching** – Provides the capability to break away an audio signal from its corresponding video signal.
- ▶ **CEC - Consumer Electronics Control capability** – Standard, built-in CEC commands can be triggered to control displays or other AV devices connected over HDMI.
- ▶ **Automatic input cable equalization** – Actively conditions incoming HDMI signals to compensate for signal loss when using long cables, low quality cables, or source devices with poor signal output.
- ▶ **SpeedSwitch® Technology provides exceptional switching speed for HDCP-encrypted content**
- ▶ **User-selectable HDCP authorization**
- ▶ **HDCP authentication and signal presence LED indicators** – Front panel LED indicators for signal presence and HDCP authentication provide real time feedback and monitoring of key performance parameters.
- ▶ **Front panel USB-C® configuration port**
- ▶ **Easy setup and commissioning with Extron's PCS** – Product Configuration Software
- ▶ **Rack mountable, 1U metal enclosure**
- ▶ **Includes Extron Everlast Power Supply** – Provides worldwide power compatibility with high reliability and low power consumption for reduced operating costs.

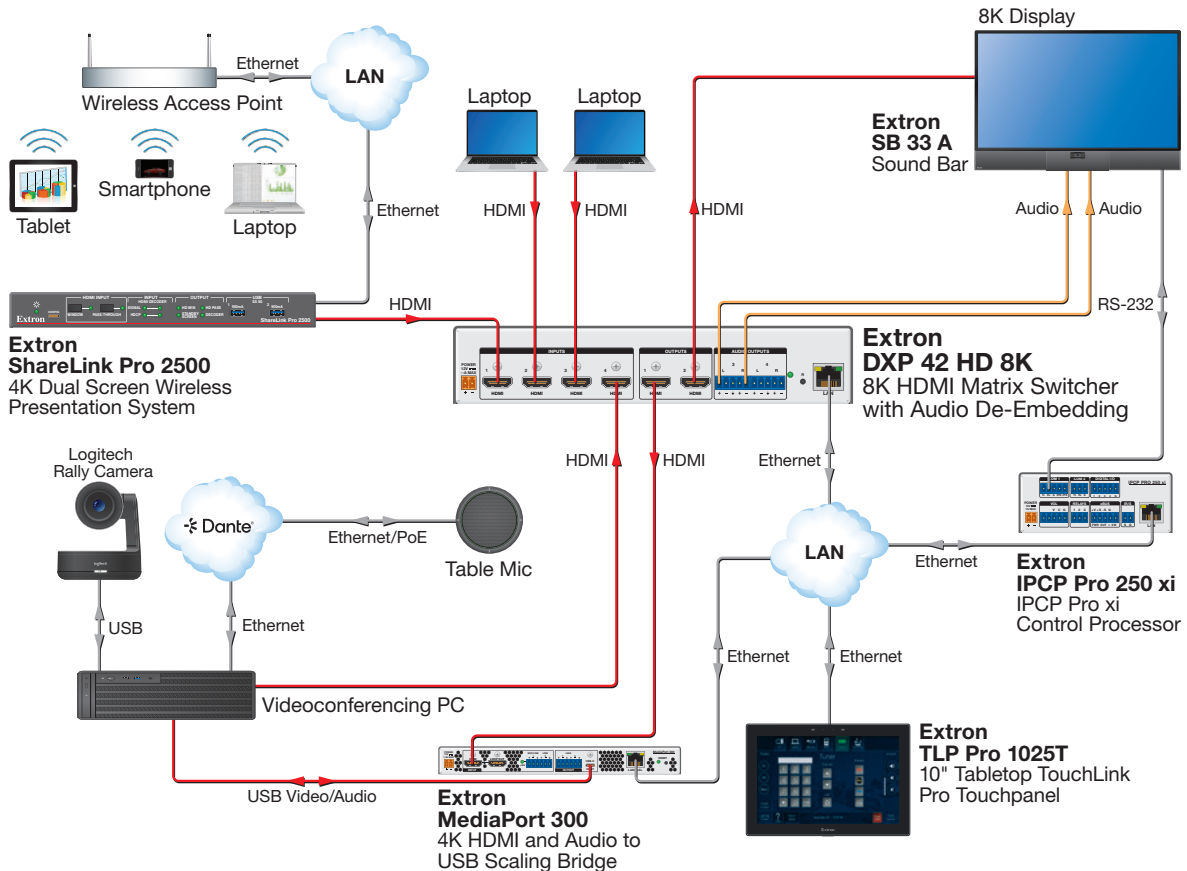


MEETING ROOM FOR PRESENTING AND VIDEOCONFERENCING

This room provides excellent audio and video performance for MTR videoconferencing and local meetings. The installed display and codec support video resolutions up to 5K. Meeting participants seated at the table can share content from their devices wirelessly using the ShareLink Pro 2500 or by connecting over HDMI. For general presentations, all inputs on the DXP 42 HD 8K are switched directly to the display. In videoconferencing mode, Output 1 is routed through an Extron MediaPort® 300 HDMI to USB bridge into the conferencing PC, then back to the switcher for display.



APPLICATION DIAGRAM



SPECIFICATIONS

TRUE 8K SPECIFICATION

Max 8K Capabilities			
Resolution	Refresh Rate	Chroma Sampling	Max Bit Depth per Color
7680 x 4320	60 Hz	4:2:0	10 bit
	30 Hz	4:4:4	

Max. 4K and 5K Capabilities			
Resolution	Refresh Rate	Chroma Sampling	Max Bit Depth per Color
5120 x 2880	60 Hz	4:4:4	12 bit
5120 x 1440			
4096 x 2160			
3840 x 2160	120 Hz		10 bit
3840 x 2160			

Frame rate ¹	24, 25, 30, 50, 60, or 120 fps
Chroma sampling ¹	4:4:4, 4:2:2, or 4:2:0
Color bit depth ¹	8, 10, or 12 bits per color
Signal Type	HDMI 2.1, HDCP 2.3
Max. video data rate	40.1 Gbps

VIDEO

Maximum data rate	40.1 Gbps
Resolution range	Up to 8K (7680x4320) @ 30 Hz 4:4:4, or 8K @ 60 Hz 4:2:0
VESA	640x480 to 7680x4320
SMPTE	Up to 1080p @ 240 Hz or 8K @ 60 Hz (4:2:0 chroma sampling)
Ultra Wide and 5K	2560x1080, 3440x1440, 3840x1080, 3840x1440, 3840x1600, 5120x1080, 5120x1440, 5120x2160, 5120x2560, 5120x2880
Color bit depth	8, 10, or 12 bits — subject to the max data rate
Standards	DVI 1.0*, HDMI 2.1, HDCP 1.x, HDCP 2.3
HDR	HDR10, HDR10+, and Dolby Vision

VIDEO INPUT

Number/signal type	4 Single Link HDMI (DVI-D*)
Input cable length	Up to 15 feet (4.0 m)
Horizontal frequency	15 kHz to 270 kHz for resolutions up to 40.1 Gbps
Vertical frequency	24 Hz to 240 Hz for resolutions up to 40.1 Gbps
EDID emulation	128 - 512 byte EDID support (1 - 4 blocks)

VIDEO OUTPUT

Number/signal type	2 single link HDMI (or DVI-D*)
Power for active cables	1.25 watts total power per HDMI output
Peripheral device power	250 mA per HDMI output

AUDIO

Gain	Unbalanced output: -6 dB, balanced output: 0 dB
Frequency response	20 Hz to 20 kHz, ±0.5 dB

AUDIO INPUT

Number/signal type	4 HDMI, embedded
HDMI pass-through	LPCM up to 7.1/24-bit/192 kHz, Dolby® Digital EX, Dolby Digital Plus™, Dolby Digital 5.1, Dolby Digital 2.0 Surround, Dolby Digital 2.0, Dolby TrueHD, Dolby Atmos™, DTS-HD Master Audio, DTS-X, DTS-HD, DTS-ES Discrete 6.1, DTS-ES Matrix 6.1, DTS-Digital Surround 5.1, DTS 2-Channel

AUDIO OUTPUT

Digital	
Number/signal type	2 digital embedded audio on HDMI
Analog	
Number/signal type	2 stereo balanced/unbalanced
Connector	(2) 3.5 mm captive screw connectors, 5 pole

COMMUNICATIONS — UNIT

USB control port	1 female USB-C on front panel
USB standards	IP over USB-C USB 2.0 high speed
LAN Ethernet port	1 RJ-45 connector
Ethernet data rate	10/100Base-T, half/full duplex with autotdetect
Ethernet protocol	ARP, DHCP, DNS, HTTP, HTTPS, ICMP (ping), IEEE 802.1X, NTP, SFTP, SMTP, SNMP, SSH, TCP/IP, Telnet, UDP/IP

GENERAL

Power supply	External Input: 100-240 VAC, 50-60 Hz Output: 12 VDC, 1.5 A, 18 watts
Cooling	Convection, vents on both sides
Mounting	
Rack mount	Yes, with optional rack shelf kit Back of the rack mountable with optional back-of-the-rack mounting kit
Furniture mount	Yes, with optional under-desk mounting kit
Enclosure dimensions	1.75" H x 8.75" W x 8.0" D (1U high, half rack wide, 8.0" deep) (4.4 cm H x 22.2 cm W x 15.2 cm D) (Depth excludes connectors.)
Product warranty	3 years parts and labor
Everlast power supply warranty	7 years parts and labor

Model	Version Description	Part number
DXP 42 HD 8K	4x2 8K HDMI Matrix with Audio De-Embedding	60-1879-01

For complete specifications, please go to www.extron.com
Specifications are subject to change without notice.

Extron

www.extron.com | Follow us on:  