

# DTP2 T 201 D

4K/60 HDMI DTP2 TRANSMITTER – DECORATOR-STYLE WALLPLATE



**DTP**  
SYSTEMS

**18 Gbps**  
4K/60 4:4:4

The Extron DTP2 T 201 D is a one-gang decorator-style transmitter for sending HDMI signals up to 330 feet (100 meters) over a shielded CATx cable to an Extron DTP®-enabled product. The wall-mountable design of this DTP2 transmitter provides the convenience of placing input connections precisely where they are needed.

- ▶ Supports computer and video resolutions up to 4K/60 @ 4:4:4 color sampling
- ▶ Supported HDMI 2.0 specification features include data rates up to 18 Gbps, 3D, and HD lossless audio formats
- ▶ HDCP 2.3 compliant
- ▶ Remote power capability
- ▶ Supports EDID and HDCP transmission
- ▶ Compatible with all DTP receivers and DTP-enabled products
- ▶ Mounts in an included one-gang decorator-style wallplate

**Extron**

## DESCRIPTION

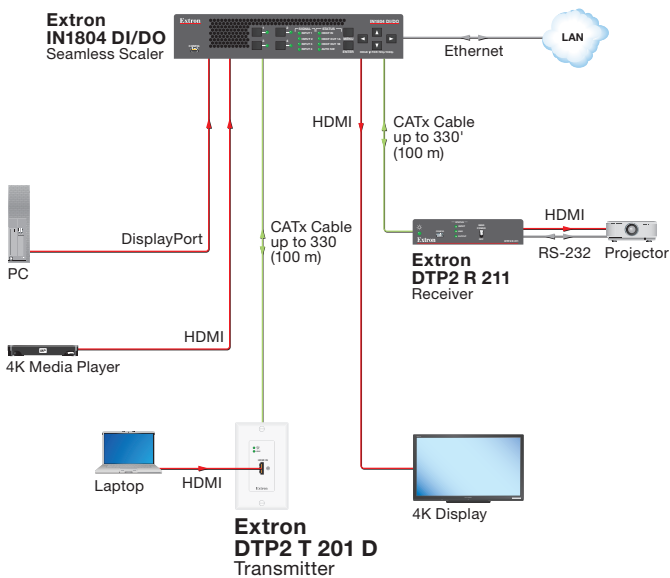
The Extron **DTP2 T 201 D** is a one-gang decorator-style transmitter for sending HDMI signals up to 330 feet (100 meters) over a shielded CATx cable to an Extron DTP®-enabled product. It supports video resolutions up to 4K/60 at 4:4:4 color sampling and complies with HDCP 2.3. The one-gang wall-mountable design of the DTP2 T 201 D provides the convenience of placing input connections precisely where they are needed.

The DTP2 T 201 D enables the reliable transmission of HDMI signals, supporting CEC pass-through and embedded HD lossless audio formats. Support of 4K/60 at 4:4:4 color sampling requires connection to a matching DTP2 product. In addition, DDC communication of EDID and HDCP is continuously maintained between a source and display, ensuring direct compatibility and optimal signal transmission between devices.

## KEY FEATURES

- ▶ Transmits HDMI plus control and analog audio up to 330 feet (100-meters) over a shielded CATx cable
- ▶ Supports computer and video resolutions up to 4K/60 @ 4:4:4 color sampling
- ▶ DTP2 output is compatible with HDBaseT-enabled devices
- ▶ Remote power capability

## APPLICATION DIAGRAM



## SPECIFICATIONS

### TRUE 4K SPECIFICATION

Max 4K Capabilities		
Resolution and Refresh Rate	Chroma Sampling	Max Bit Depth per Color
3840 x 2160 at 60 Hz 4096 x 2160 at 30 Hz 3840 x 2160 at 30 Hz	4:4:4	8 bit

Frame rate <sup>1</sup>	24, 25, 30, 50, or 60 fps
Chroma sampling <sup>1</sup>	4:4:4
Color bit depth <sup>1</sup>	8 bits per color
Signal type	HDMI 1.4, 2.0; HDCP 1.4, 2.3
Max. video data rate	18 Gbps (6 Gbps per color)

**NOTE:** <sup>1</sup>Subject to the maximum data rate limit. Use our calculator at [www.extron.com/8KdataRate](http://www.extron.com/8KdataRate) to determine video parameters supported by this data rate.

### VIDEO

Maximum data rate	18 Gbps (6 Gbps per color)
Maximum pixel clock	600 MHz
Resolution range	2560x1600 @ 60 Hz or 1080p @ 60 Hz, 4K (4096x2160) @ 30 Hz, UHD (3840x2160) @ 30 Hz, UHD (3840x2160) @ 60 Hz
Color bit depth	8 bits — subject to the maximum data rate limit
Formats	RGB digital video
Standards	DVI 1.0; HDMI 1.4, 2.0; HDCP 1.4, 2.3; CEA-861-F

### VIDEO INPUT

Connectors	1 female HDMI type A
Horizontal frequency	15 kHz to 150 kHz
Vertical frequency	24 Hz to 120 Hz for resolutions up to 18 Gbps

### INTERCONNECTION BETWEEN TRANSMITTER AND RECEIVER

Connectors	1 female RJ-45 per unit
Signal transmission distance	Up to 330' (100 m) using shielded twisted pair (STP) cable or XTP DTP 24 cable
Cable requirements	Solid conductor, 24 AWG or better
Cable recommendations	400 MHz bandwidth STP (shielded twisted pair)
<b>NOTE:</b>	Extron XTP DTP 24 shielded twisted pair cable is strongly recommended for optimal performance.

### AUDIO INPUT

Number/signal type	1 digital embedded audio on HDMI
--------------------	----------------------------------

### GENERAL

Power supply	External Input: 100-240 VAC, 50-60 Hz Output: 12 VDC, 1.5 A, 18 watts
--------------	---

**NOTE:** Each transmitter or receiver can be powered either locally by an external power supply or remotely by receiver or transmitter on the other end of the twisted pair cable.

### Enclosure dimensions

Faceplate	2.6" H x 1.3" W x 0.3" D (66 mm H x 33 mm W x 6 mm D)
Device	2.8" H x 1.7" W x 1.9" D (71 mm H x 43 mm W x 48 mm D)

Model	Version Description	Part number
DTP2 T 201 D	HDMI 4K/60 Wallplate Tx, Black – 330 feet (100 m)	60-1741-52
DTP2 T 201 D	HDMI 4K/60 Wallplate Tx, White – 330 feet (100 m)	60-1741-53

For complete specifications, please go to [www.extron.com](http://www.extron.com)  
Specifications are subject to change without notice.

### WORLDWIDE SALES OFFICES

Anaheim • Raleigh • Silicon Valley • Dallas • New York • Washington, DC • Toronto • Mexico City • Paris  
London • Frankfurt • Madrid • Stockholm • Amersfoort • Moscow • Dubai • Johannesburg • Tel Aviv • Sydney  
Melbourne • Bangalore • Mumbai • New Delhi • Singapore • Seoul • Shanghai • Beijing • Hong Kong • Tokyo

[www.extron.com](http://www.extron.com)