

Cable Cubby Drawer

UNDER-TABLE CABLE ACCESS DRAWER
FOR AV CONNECTIVITY AND POWER



The Extron Cable Cubby® Drawer is a modular cable access drawer for AV connectivity and USB power that mounts beneath tables, desks, or other furniture. It provides a convenient and inconspicuous means to store a mouse, keyboard and cables while providing access to AV and power connectivity.

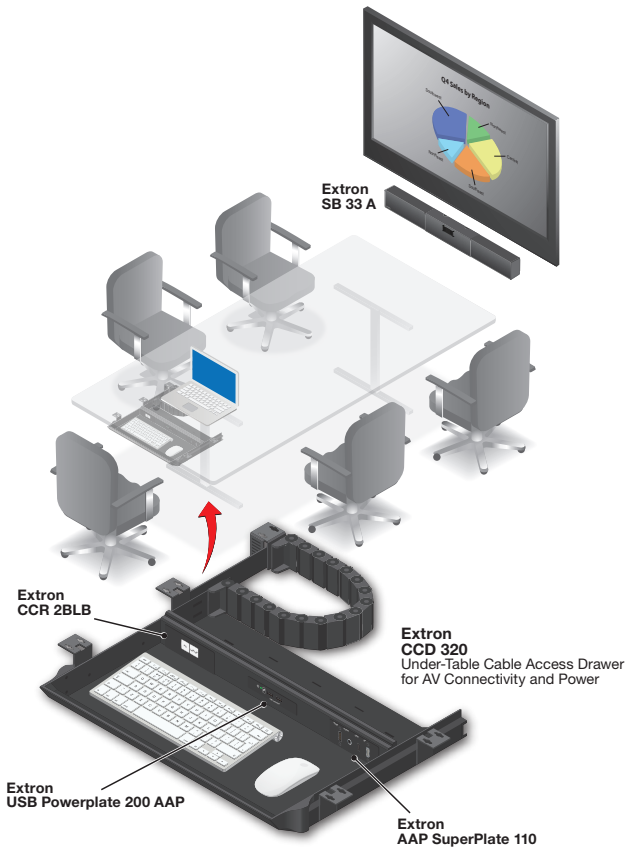
- ▶ Accommodates up to six single-space AAP™ AV Connectivity Modules
- ▶ Mounts directly beneath the furniture surface
- ▶ Friction catch secures drawer open or closed
- ▶ Integrated track simplifies cable routing to prevent binding and tangling
- ▶ Optional USB PowerPlate module provides USB power for mobile devices and laptops
- ▶ Customizable drawer front can easily match furniture surface or room décor

DESCRIPTION

The Extron **Cable Cubby® Drawer** is a modular cable access drawer for AV connectivity and USB power that mounts beneath tables, desks, or other furniture. When open, its flexible design facilitates easy access to connected cables, as well as stored items such as display remotes, a mouse, keyboard, or mobile devices. The smooth-gliding drawer features AV connectivity openings at the rear of the compartment that accommodate up to six single-space AAP™ AV Connectivity Modules. An integrated track system simplifies cable routing and prevents binding and tangling of cables. A cable pass-through opening allows cables to remain connected, even when the drawer is closed. The Cable Cubby Drawer is available with a black finish, and the drawer front can be customized using an integrator-provided veneer or façade.

The **CCD 220** cable access drawer features a 7.92" (20.11 cm) wide interior tray that can hold most mice, display remotes, as well as accessory cables. It accommodates up to four single-space or two double-space AAP modules. The **CCD 320** drawer features a 19.92" (50.59 cm) wide interior tray that holds accessories as well as a keyboard. It accommodates up to six single-space or three double-space AAP modules. Both models are 2.35" (5.97 cm) in height.

APPLICATION DIAGRAM

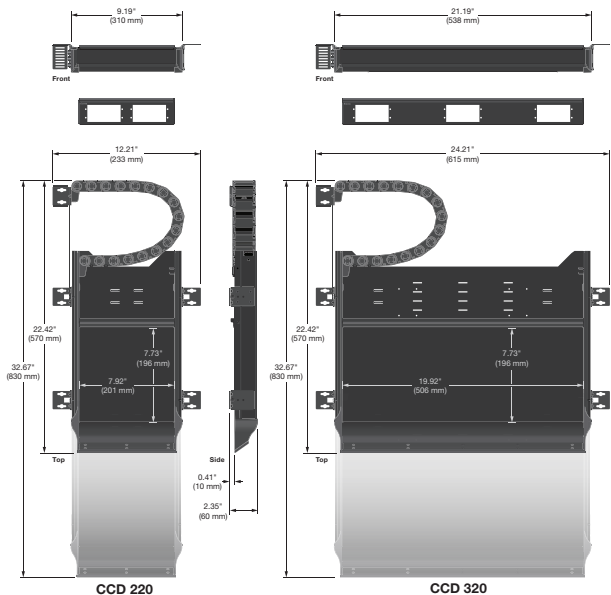


SPECIFICATIONS

MOUNTING		
Enclosure type	Steel, aluminum, and plastic	
ENCLOSURE DIMENSIONS		
Closed		
CCD 220 model	12.21" W x 22.42" D (310.1 mm W x 569.5 mm)	
CCD 320 model	24.21" W x 22.42" D (614.9 mm x 569.5 mm)	
Extended		
CCD 220 model	12.21" W x 32.67" D (310.1 mm W x 829.9 mm)	
CCD 320 model	24.21" W x 32.67" D (614.9 mm W x 829.9 mm)	
Interior Tray Dimensions		
CCD 220 model	7.92" W x 7.73" D x 1.94" H (201.1 mm W x 196.3 mm D x 49.3 mm H)	
CCD 320 model	19.92" W x 7.73" D x 1.94" H (505.9 mm W x 196.3 mm D x 49.3 mm H)	
Drawer Height (both models)	2.35" H (59.7 mm H)	
PRODUCT WEIGHT		
Regulatory compliance		
Safety	CE	
Environmental	Complies with the appropriate requirements of RoHS and WEEE	
Product warranty	3 years parts and labor	
Model	Version Description	Part number
CCD 220	Under-table Drawer for 4 AAP Modules	70-1277-02
CCD 320	Under-table Drawer for 6 AAP Modules	70-1278-02
Optional Accessories		
USB PowerPlate 200 AAP	(2) USB-A	60-1346-02
USB PowerPlate 311 AAP	Single-space, Black	60-1783-02
AAP SuperPlate 110	HDMI, DisplayPort, Audio, USB	70-1076-12

For complete specifications, please go to www.extron.com
Specifications are subject to change without notice.

PANEL DRAWINGS



WORLDWIDE SALES OFFICES

Anaheim • Raleigh • Silicon Valley • Dallas • New York • Washington, DC • Toronto • Mexico City • Paris
London • Frankfurt • Madrid • Stockholm • Amersfoort • Moscow • Dubai • Johannesburg • Tel Aviv • Sydney
Melbourne • Bangalore • Mumbai • New Delhi • Singapore • Seoul • Shanghai • Beijing • Hong Kong • Tokyo

www.extron.com