

Extron MLC 226 IP MediaLink™ Controller

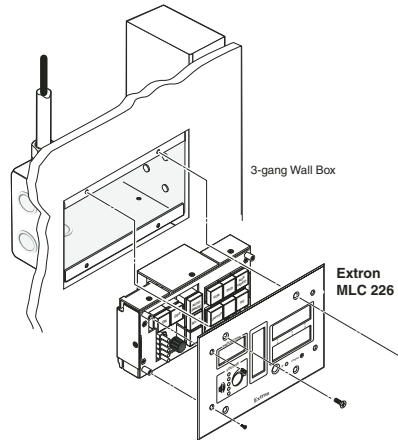
Universal Mounting Capabilities

Extron MLC MediaLink™ Controllers and SCP Secondary Control Panels are compatible with a wide variety of mounting solutions. Controllers and mounting plates are easily integrated into lecterns, wall boxes, and A/V equipment racks.

Extron®

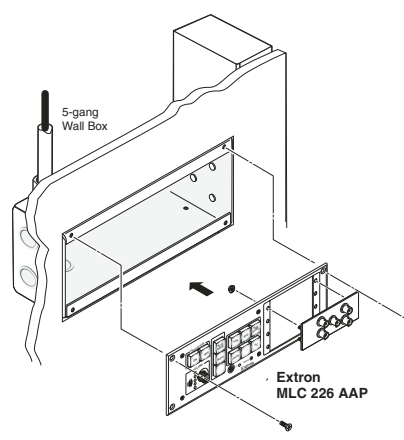
Standard Three-Gang Wall Box

The MLC 226 IP can be directly installed in a standard three-gang wall box.



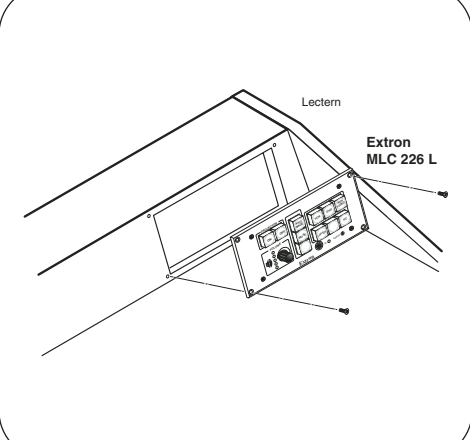
Standard Five-Gang Wall Box

The MLC 226 IP AAP can be directly installed in a standard five-gang wall box.



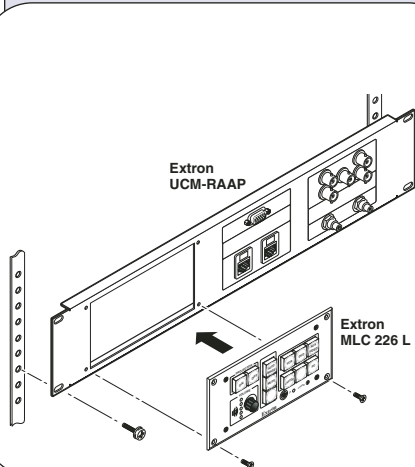
Lectern/Low Profile Applications

The MLC 226 IP L kit uses a low profile faceplate for discreet mounting into a lectern or UCM mount.



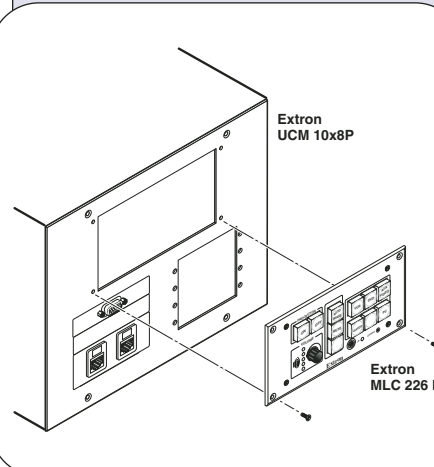
A/V Equipment Rack

The MLC 226 IP L is used with the UCM RAAP to mount the controller into a standard 19" wide rack (2U).



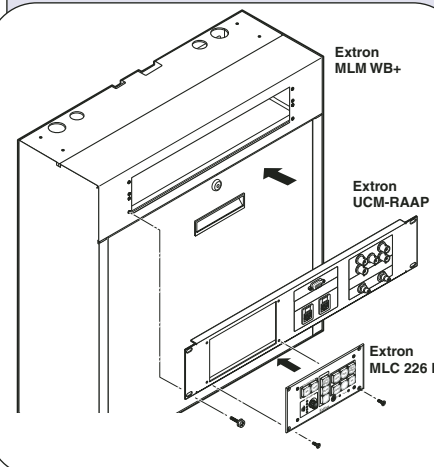
Hoffman 10X8 Wall Box

Hoffman wall box installations can be utilized by mounting the MLC 226 IP L Kit into the UCM 10X8P faceplate.



Extron MLM WB+

To mount the MLC 226 IP into the MLM WB+, use the MLC 226 IP L Kit and the UCM-RAAP.



Custom Solutions

The MLC 226 IP Controller is available without a faceplate for custom solutions.

