

# Flexible Conduit Kit Installation Guide

The Extron® Flexible Conduit Kit for is a 6-foot (1.8 m) length of electrical conduit with three 7.5-foot (2.3 m), 14-gauge power wires connected to a mounting plate compatible with Extron Cable Cubby®. The kit provides a simple means to replace the permanent or IEC power cord of the Extron Cable Cubby with conduit where required by local codes.

**IMPORTANT:**  
Refer to [www.extron.com](http://www.extron.com) for the complete user manual and installation instructions before connecting the product to the power source.

## UL Guidelines

The Underwriters Laboratories (UL) guidelines listed below pertain to the installation of the flexible conduit kit into an Extron Cable Cubby.

**WARNING:** Installation and service must be performed by a qualified electrician only.

1. This unit is **not** to be used beyond its rated voltage range.
2. This unit **must** be wired to a UL-listed distribution box. The installer is responsible for obtaining and installing the box.
3. This unit **must** be installed in accordance with the National Electrical Code and with all local codes.

## Removing the Old Cable

**NOTE:** If the power box is installed in a Cable Cubby, remove the Cable Cubby from the table in which it is installed, if necessary, and remove the power box from the Cable Cubby. See the Cable Cubby User's manual.

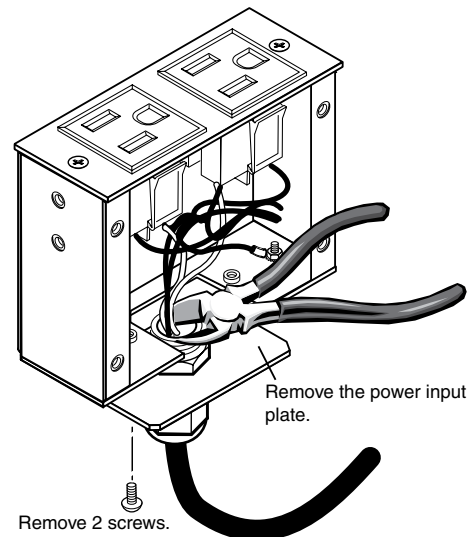
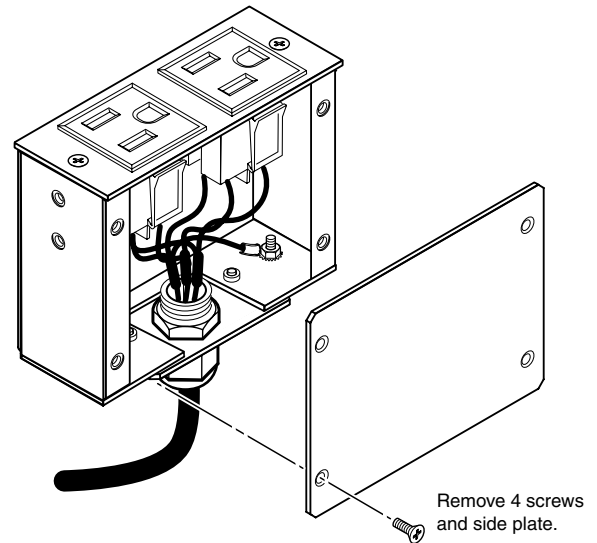
**US/Domestic** power boxes have power cords that are **permanently connected** to the power box.

**International** power boxes have **standard IEC** power connectors.

1. Unplug any device(s) plugged into the Cable Cubby power box and disconnect power.
2. Remove and retain the four Phillips head screws on the side of the power box and remove the side plate (shown at right).
3. Remove the two Phillips head screws on the power input connector plate on the back (bottom) side of the power box and gently pull the plate back as far as the wires inside the power box will allow (below right).
4. Cut the cable exiting the power input connector plate as indicated at right.
  - **US/Domestic power box** — Extend the power cord and cut it about 8 inches (20 cm) from the front of the power box.

**NOTE:** Ensure that you cut the power cord after the point where the separate wires from the front plate outlets are joined in heat shrink.

- **International (IEC) power box** — Extend the power cord and cut the wires as close to the back side of the power IEC connector as possible.
5. Strip away 1.5 inches (3.8 cm) of the outer jacket (US/Domestic power box) and 0.5 inches (1.3 cm) of the individual wires' insulation.
  6. Gently pull the three cut wires out of the side of the power box.



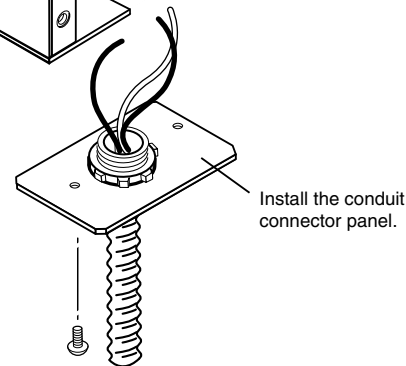
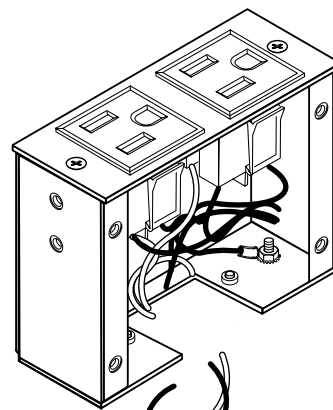
# Flexible Conduit Kit Installation Guide (Continued)

## Installing the Replacement Cable

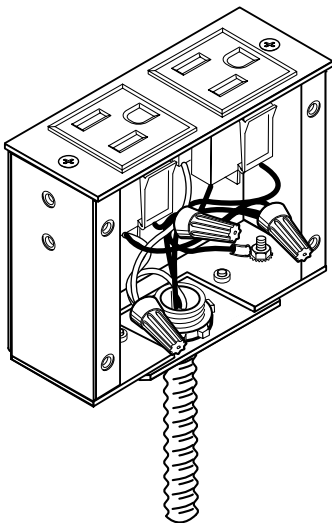
1. Place the conduit plate from the Flexible Conduit Kit on the bottom side of the power box. Insert the provided Phillips head screws through the conduit plate and engage the threads on the screws with the threaded holes in the power box.

**NOTE:** If necessary, reorient the conduit nut and wires for the best fit.

2. Tighten the screws to secure the conduit plate in place.
3. Twist together the two supply (**blue**) wires (one from the power outlets and one from the conduit assembly), the two return (**brown**) wires, and the two ground (**green/yellow**) wires in the power box. Twist one of the provided wire nuts onto each twisted pair.



4. Use the provided tie wrap to bundle the power cables.
5. Gently tuck the power cables and wire nuts into the power box.



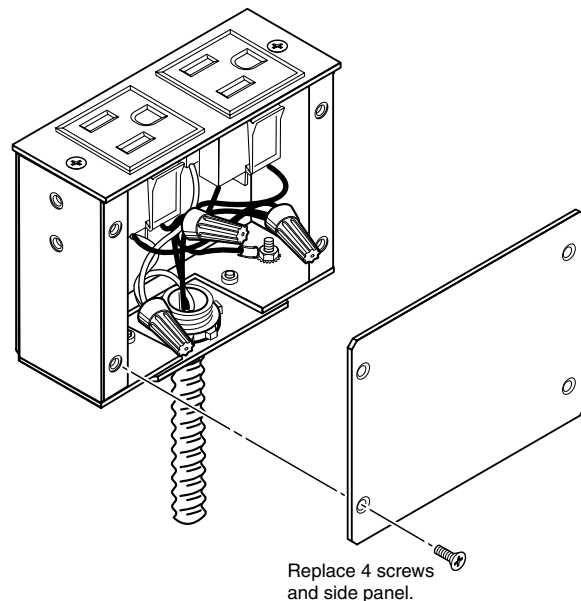
6. Place the side plate on the power box and secure it in place with the Phillips head screws removed in **Removing the Old Cable**, step 2, on the previous page.

**NOTE:** If the power box was installed in a Cable Cubby, reinstall the power box into the Cable Cubby and, if necessary, reinstall the Cable Cubby in the table. See the applicable *Cable Cubby User's Manual*.

**WARNING:** Ensure power is removed from the UL-listed AC distribution box before connecting the power cable and conduit. Lethal voltages are present in the AC distribution box.

7. Remove power from the AC distribution box.

**NOTE:** Ensure the AC distribution box is rated for and equipped with a 15-amp circuit breaker.



8. Wire the free end of the AC power cable and conduit into the AC distribution box.

Extron **USA - West**  
Headquarters  
**+800.633.9876**  
Inside USA / Canada Only  
**+1.714.491.1500**  
**+1.714.491.1517 FAX**

Extron **USA - East**  
**+800.633.9876**  
Inside USA / Canada Only  
**+1.919.863.1794**  
**+1.919.863.1797 FAX**

Extron **Europe**  
**+800.3987.6673**  
Inside Europe Only  
**+31.33.453.4040**  
**+31.33.453.4050 FAX**

Extron **Asia**  
**+800.7339.8766**  
Inside Asia Only  
**+65.6383.4400**  
**+65.6383.4664 FAX**

Extron **Japan**  
**+81.3.3511.7655**  
**+81.3.3511.7656 FAX**

Extron **China**  
**+400.883.1568**  
Inside China Only  
**+86.21.3760.1568**  
**+86.21.3760.1566 FAX**

Extron **Middle East**  
**+971.4.2991800**  
**+971.4.2991880 FAX**

68-734-01  
Rev **C**  
04 10