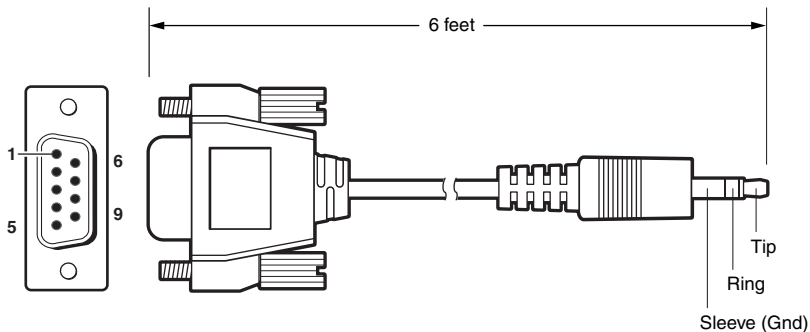


9DB Female - 2.5 mm TRS Configuration Cable

Pinout Guide



9-pin D	Connection	TRS Plug
Pin 2	Computer's RX line	Tip
Pin 3	Computer's TX line	Ring
Pin 5	Computer's signal ground	Sleeve



Extron Electronics, USA
 1230 South Lewis Street
 Anaheim, CA 92805
 USA
 714.491.1500
 Fax 714.491.1517

Extron Electronics, Europe
 Beeldschemweg 6C
 3821 AH Amersfoort
 The Netherlands
 +31.33.453.4040
 Fax +31.33.453.4050

Extron Electronics, Asia
 135 Joo Seng Road, #04-01
 PM Industrial Building
 Singapore 368363
 +65.6383.4400
 Fax +65.6383.4664

Extron Electronics, Japan
 Daisan DMJ Building 6F
 3-9-1 Kudan Minami
 Chiyoda-ku, Tokyo 102-0074 Japan
 +81.3.3511.7655
 Fax +81.3.3511.7656

68-805-01, Rev. A
 04 03
 Printed in the USA.