

# Setup Guide — P/2 DA2xi MT

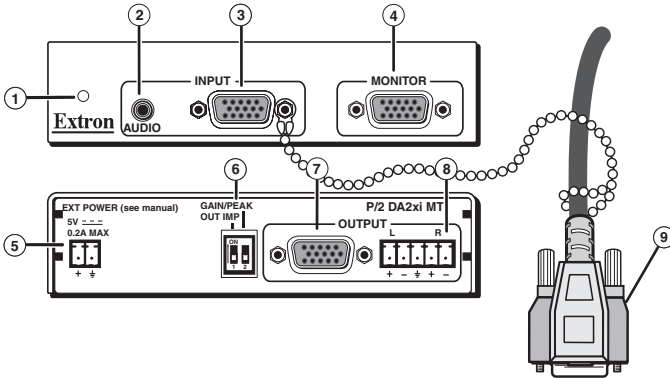
This guide provides basic instructions for an experienced installer to set up and operate the Extron P/2 DA2xi MT.

**IMPORTANT:**  
Refer to [www.extron.com](http://www.extron.com) for the complete user manual and installation instructions before connecting the product to the power source.

## Installation

The P/2 DA2xi can be mounted on a rack shelf, under a desk or tabletop, or on a projector bracket.

**CAUTION** Installation and service must be performed by authorized personnel only.



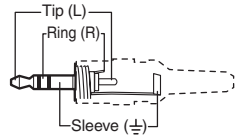
### Step 1 — Power down and mount

Turn off or disconnect all equipment from power sources and mount the P/2 DA2xi MT as needed. Refer to the user's guide for mounting details.

When lit green, Power/Signal indicator LED (1) indicates that the distribution amplifier is receiving both power and a computer signal. When it is lit amber, it indicates that the P/2 DA2xi MT is receiving power but no computer signal.

### Step 2 — Connect inputs

- Connect a 3.5 mm, mini audio plug cable from the sound card of the PC to the audio input connector (2). Wire the audio plug as shown on the right.
- Connect the VGA-QXGA output of the PC to the 15-pin HD video input connector (3).
- Connect a local monitor to the 15-pin HD monitor input connector (4).



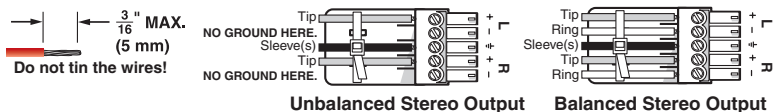
**NOTE** A local monitor cable assembly (9) can be chained to the unit to prevent it from being misplaced.

### Step 3 — Connect outputs

- Connect the video output device (projector, display panel, or monitor) to the 15-pin HD video output connector (7).
- Connect a 3.5 mm, 5-pole, captive screw audio connector to the 5-pin audio output connector (8). Connect the other end of the audio cable to an audio output device. See the audio wiring diagrams on the other side.

(Continued on reverse side)

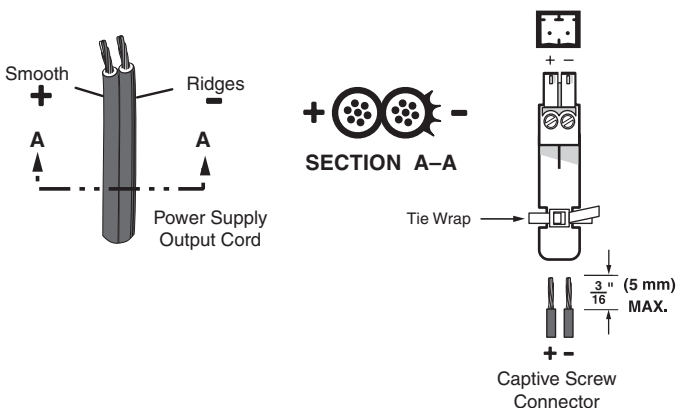
# Setup Guide — P/2 DA2xi MT



**CAUTION** Connect the sleeve to ground (Gnd). Connecting the sleeve to a negative (-) terminal will damage the audio output circuits.

## Step 4 — Power up

Plug the external 12 V power supply into this 2-pole captive screw connector. The included power supply is shipped with a plug installed on the DC output cord. If the DC output cord needs to be cut to a different length, see the following figure and notes for reinstalling the DC output plug.



**CAUTION** When you connect the power supply, voltage polarity is extremely important. Applying power with incorrect voltage polarity could damage the power supply and the amplifier. Identify the power cord negative lead by the ridges on the side of the cord.

**NOTE** Do not tin the stripped power supply leads before installing the captive screw connector. Tinned wires are not as secure in the connectors and could pull out. Strip the power cord jacket 5 mm from the end.

**WARNING** The two power cord wires must be kept separate while the power supply is plugged in. Remove power before continuing.

To verify the polarity before connection, plug in the power supply with no load and check the output with a voltmeter.

## Step 5 — Set DIP switches

These switches affect only the video output (⑦), not the “monitor” output (④).

The **Gain/Peak** DIP switch should be on (up) when the output cable is over 100 feet (30.5 m).

The **Out Imp** DIP switch changes output impedance. If all connections and operations are correct, but the output has no picture, switch to the other position.

Extron **USA - West**  
Headquarters  
+800.633.9876  
Inside USA / Canada Only  
+1.714.491.1500  
+1.714.491.1517 FAX

Extron **USA - East**  
+800.633.9876  
Inside USA / Canada Only  
+1.919.863.1794  
+1.919.863.1797 FAX

Extron **Europe**  
+800.3987.6673  
Inside Europe Only  
+31.33.453.4040  
+31.33.453.4050 FAX

Extron **Asia**  
+800.7339.8766  
Inside Asia Only  
+65.6383.4400  
+65.6383.4664 FAX

Extron **Japan**  
+81.3.3511.7655  
+81.3.3511.7656 FAX

Extron **China**  
+400.883.1568  
Inside China Only  
+86.21.3760.1568  
+86.21.3760.1566 FAX

Extron **Middle East**  
+971.4.2991800  
+971.4.2991880 FAX