

The Extron PMK 550 Pole Mount Kit, designed for use with Extron's PoleVault™ System, allows for easy mounting of PoleVault products to a projector pole.

The PoleVault switcher, the switcher's power supply, and an accessory device can be mounted on the PMK.

**CAUTION** *Maximum load for the PMK 550 is 15 lb (6.8 kg).*

Included in the kit are:

- Covers (2) • Base plate (1)
- Velcro™ strap and pads (to secure power supply)
- 4-40 Screws (to mount devices) (3)
- 10-32 Cover Screws, button head hex (4)

**NOTE** *Refer to the PoleVault System Installation Guide for further details.*

## Installation

To install the PMK 550 in a PoleVault system:

1. **Remove the four cover screws** from the center of the PMK 550 (see figure 1). Slide the two halves apart and remove them from the base plate.

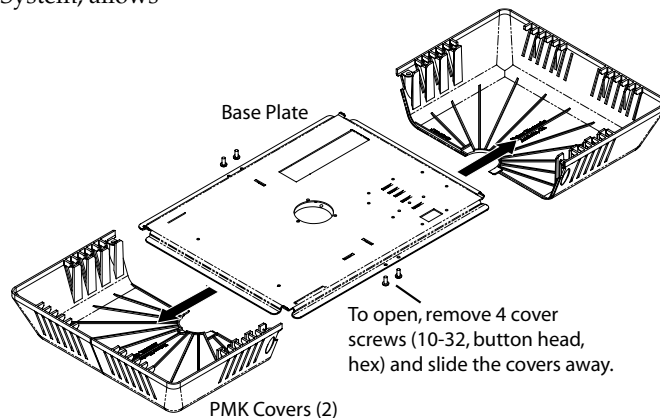
**NOTE** *If the PoleVault switcher and its power supply are already installed, go directly to step 4.*

2. To mount a PoleVault switcher, invert the base plate and **attach the switcher** to the plate by inserting screws through the plate and into the unit top (see figure 2 on reverse of card). Tighten down the screws.

**NOTE** *Any installed switcher should be secured to the plate in an upside down position so that when the plate is rotated to hang from the ceiling, the device will be in its correct orientation.*

*Use only supplied screws to avoid damaging the switcher.*

3. **Attach the associated power supply** with the supplied Velcro strap and pads, by passing the strap through the appropriate slots and around the power supply (see figure 2). Tighten until snug.



**Figure 1 — PMK 550**

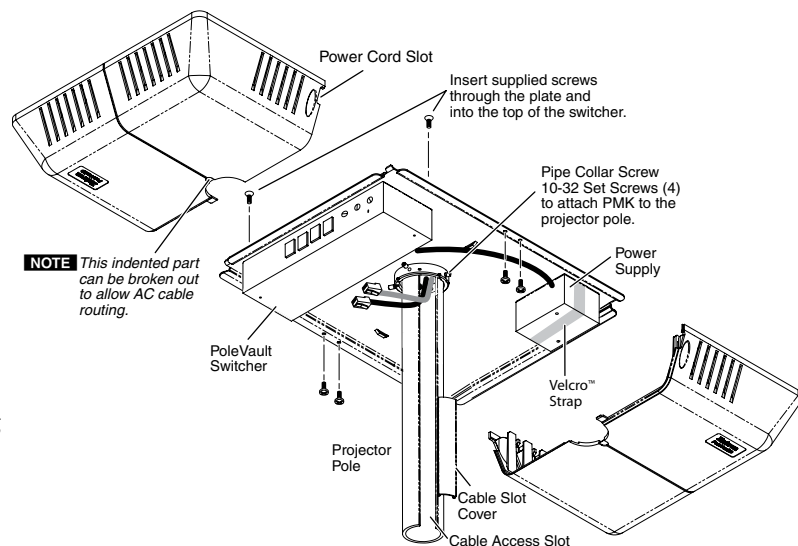
## PMK 550 Installation Guide, cont'd

4. Loosen the four pipe collar set screws, and slide the plate up the pipe until the base plate is touching the drop ceiling.
5. Level the plate and secure it by fully tightening the set screws.

**NOTE** At least three set screws must come in contact with the pipe.

6. Route the signal cables so that they exit the pipe via the cable access slot.
7. Attach the cables to the switcher and pull any excess cable back into the ceiling. Feed the output cables to the projector via the cable access slot to the base of the pipe.
8. Continue installing the projector and other devices, following the manufacturers directions.
9. Slide the covers onto the plate, passing the AC power cord out through the slot between the covers (see figure 2) and route to a suitable nearby power socket.
10. Lock the covers to the plate with the cover screws.

Refer to the *PoleVault System Installation Guide* to complete the installation and setup.



**Figure 2 — Attach the PMK to the pole, cable the the switcher and re-attach the two covers**

Extron **USA - West**  
Headquarters  
**+800.633.9876**  
Inside USA / Canada Only  
**+1.714.491.1500**  
**+1.714.491.1517** FAX

Extron **USA - East**  
**+800.633.9876**  
Inside USA / Canada Only  
**+1.919.863.1794**  
**+1.919.863.1797** FAX

Extron **Europe**  
**+800.3987.6673**  
Inside Europe Only  
**+31.33.453.4040**  
**+31.33.453.4050** FAX

Extron **Asia**  
**+800.7339.8766**  
Inside Asia Only  
**+65.6383.4400**  
**+65.6383.4664** FAX

Extron **Japan**  
**+81.3.3511.7655**  
**+81.3.3511.7656** FAX

Extron **China**  
**+400.883.1568**  
Inside China Only  
**+86.21.3760.1568**  
**+86.21.3760.1566** FAX

Extron **Dubai**  
**+971.4.2991800**  
**+971.4.2991880** FAX

68-1502-01  
Rev A  
08 08