

NEW



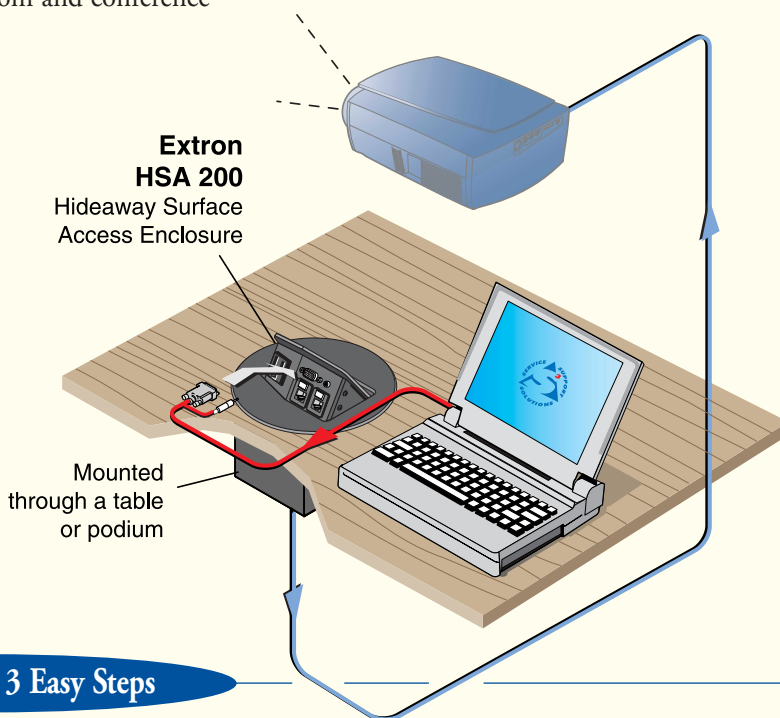
Extron® "Hideaway™" HSA 200C/200CE

More Out-of-Sight Solutions to A/V System Access

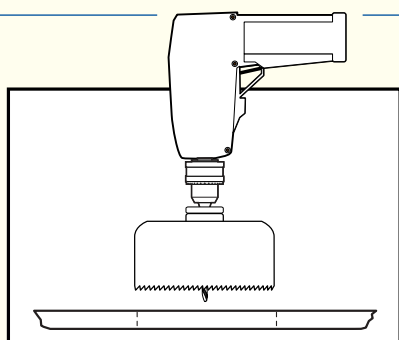


Extron welcomes two new additions to the HSA "Hideaway" family of architectural solutions—the HSA 200C and HSA 200CE. These new models provide inconspicuous access to A/V connections and feature a round bezel, which facilitates installation with a standard six inch hole saw. Designed to mount discreetly into virtually any tabletop surface, Extron HSAs fit nearly flush with the tabletop when closed, storing connectors out of sight until needed. Out of sight solutions, ideal for mounting in boardroom and conference room tabletops.

- UL Listed for worry-free integration, system inspections, and product safety
- Rugged, reliable enclosure and mechanical latch ensure trouble-free operation
- Additional unswitched AC outlet for powering accessories or looping HSA's.
- Tilt-up access to one female 15-pin HD connector, one grounded AC outlet, two bezel-mounted RJ-45 (CAT 6) network/data/phone connectors, and audio on 3.5 mm stereo jack connector
- Available in five surface top finishes: brushed black anodized, brushed or polished aluminum, and brushed or polished brass
- HSA 200C features pass-through connectivity
- HSA 200CE includes a built-in Extron Extender RGB line driver and active PC audio interfacing

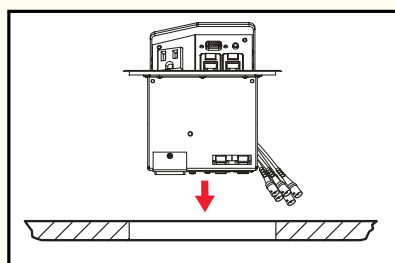


Installation in 3 Easy Steps



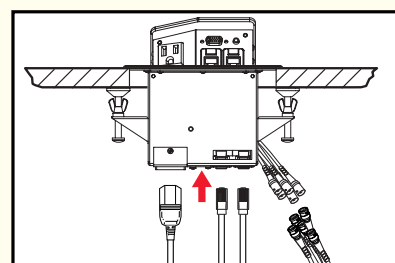
Step 1

Use standard six inch hole saw to make cutout in table surface.



Step 2

Place the HSA 200CE into the cutout.



Step 3

Make all connections and securely fasten HSA 200CE onto table surface.

www.extron.com/36/hideawayhsa200c



Extron® Electronics

INTERFACING, SWITCHING AND DISTRIBUTION

800.633.9876

www.extron.com

Come see us at
Booth # 16074